

INTERNATIONAL AUTO & MOTOR PARTS CO.,LTD



PRODUCT CATALOGUES

<https://www.eliteson.net> E-mail: stuart@autoandmotor.com
TEL:0086-551-62822958 Mob:+86-15955100872
Sales:stuart



3135/15

*25 YEARS Professional car
holder manufacturer !*



CATALOGUE

▶ Car Wireless Charging Holder	- 7 -	- 2 -
▶ Car Suction Cup Mount	- 14 -	- 8 -
▶ Car Air Vent Holder	- 19 -	- 15 -
▶ Car Magnetic Holder	- 22 -	- 20 -
▶ Car Cup Phone Holder	- 26 -	- 23 -
▶ Car Tablet PC Holder	- 28 -	- 27 -
▶ Bike Mount	- 31 -	- 29 -
▶ Table Stands	- 33 -	- 32 -
▶ Other Holders and Accessories	- 37 -	- 34 -

2024+NEW Car Wireless Charging Holder



CE
FCC
✓
RoHS
Qi2

H141-1+G24

Fast Magnetic Wireless Charger Holder

- Designed for iPhone 12 / 13 / 14 / 15 series.
- Built-in N52 magnet array precisely matches MagSafe magnet coil.
- 15W Fast wireless charging. CE, ROHS, FCC-ID Certified.



H153+G24



H132+G24



H153+G25



H137+G25



CH01+G25



H147+G25



CE
FCC
✓
RoHS
Qi2

H153+G25

2024+HOT SALE Car Wireless Charging Holder



CE

FC

✓
RoHS

Qi2

H128+G21-L

Aluminum alloy Magnetic Wireless Charger Holder

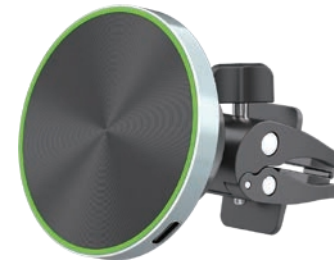
- Designed for iPhone 12 / 13 / 14 / 15 series.
- Adopt 20pcs N52 magnets to protect your device with super suction.
- 15W Fast wireless charging. CE, ROHS, FCC-ID Certified.



CH01+G21-L



H143+G21-L



H128+G21



H141-1+G21



H147+G21

2024+HOT SALE Car Wireless Charging Holder

CE
FCC
✓ RoHS
Qi2



H145+G19



H141-1+G19A

Fast Magnetic Wireless Charger Holder

- Designed for iPhone 12 / 13 / 14 / 15 series.
- Built-in N52 magnet array precisely matches MagSafe magnet coil.
- Supports certified Qi2 15W fast wireless charging.
- CE, ROHS, FCC-ID Certified.



H145+G19A



CH01+G19



H141-1+G19A



H137+G19

2024+HOT SALE Car Wireless Charging Holder

Fast Magnetic Wireless Charger Holder

- Designed for iPhone 12 / 13 / 14 / 15 series.
- Built-in N52 magnet array precisely matches MagSafe magnet coil.
- 15W Fast wireless charging. CE, ROHS, FCC-ID Certified.



H141+G18



H141+G18



H116+G18



H128+G18



H136+G18



H123+G18



H132+G18



H147+G18

2024+HOT SALE Car Wireless Charging Holder



CE FC RoHS Qi Qi2

H141+C138



H128+C138



H141+C138



H133+C138



H137+C138

Fast Wireless Car Charger

Input: 5V=2A 9V=2A 12V=2A

Output: 5W/7.5W/10W/15W (max)

Rated frequency: 110-205KHz

Charging distance: 2-6mm

2024+HOT SALE Car Wireless Charging Holder



H116+C133



H116+C133



H122+C133



H109+C106



H141-1+C108



H109+C112



H123+C134



H133+C134



H116+C116



H106+C117



H115+C125

2024+NEW Car Suction Cup Mount

Universal Car Dashboard Phone Mount

- **Double Adhesive Pads, Larger Sticking Area**

Adopt the design of double 3M adhesive pads with a larger area, improving the stability and durability by 200%.

- **Enhanced Flexibility**

Better angles, perfect fit. Conquer all curved and uneven surfaces.



H153



H153+C143



H153+C140



H153+C141



H153+C142



H153+C143



H153+C144



H153+C145

2024+HOT SALE Car Suction Cup Mount

Car Dashboard Mount

- Upgraded powerful suction cup with sticky gel, offers superior strength on the windshield and dashboard.
- Telescopic arm and broad angle adjustable pivots offers unlimited vision.
- 360 ball joint easy to set your phone in landscape or portrait mode.



H145+C130



H145+C132



H145+C144



H145+C142



H147+C140



H147+H149C1



H147+C141

2024+HOT SALE Car Suction Cup Mount



CH02+CX01



CH02+CG01



CH02+C145



CH05+CG01



CH05+CX01



CH03+CG02



CH03+CX01



CH06+CG02



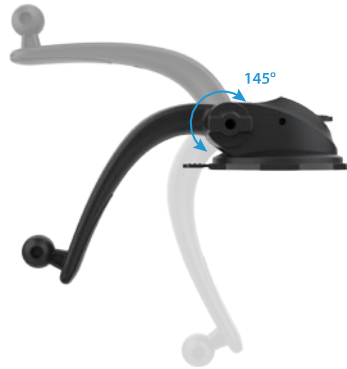
CH06+CX01



CH05+CG01

CH06+CG02

2024+HOT SALE Car Suction Cup Mount



H132



H132+C126



H137+C130

Super Suction Car Mount

- Updated suction cup, more stable and durable.
- Wide angle adjustable long arm, no blocking sight when driving.
- Foldable compact design, save space and shipping.



H132+C122



H132+C124



H132+C132



H132+C143



H137+C127



H137+C128



H137+C130

2024+HOT SALE Car Suction Cup Mount



H123



H123+C122

Universal Car Holder

- Upgraded powerful suction cup with sticky gel, offers superior strength on the windshield and dashboard .
- Telescopic arm and broad angle adjustable pivots offers unlimited vision .
- 360 ball joint easy to set your phone in landscape or portrait mode.



H133



H123+C114



H123+C115



H123+C122



H123+C124



H133+C124



H133+C126



H133+C141



H133+C135

2024+HOT SALE Car Suction Cup Mount



H146+C121



H146+C141

Gooseneck Strong Suction Car Phone Holder

360 ° suction cup car phone holder

Open the suction cup pressure valve and rotate the suction cup support 360°.

Flexible long gooseneck arm

Adjust this mount freely, and it's 13 inches bendable which means you can bend it to fit your dashboard or windshield without blocking your sight.



H146+CX01



H146+C145



H146+C141



H146+A085

2024+HOT SALE Car Suction Cup Mount

Car Dashboard Mount

- Upgraded suction power for long lasted and durable use.
- 360 degree rotation ball head for your perfect viewing.
- The suction cup can be reused after washing and let it air dry.
- Newest and elegant design, easy to install, no tools needed.



BBS-002+C139



BBS-002+C139



BBS-002+C130



H54+C81-N



H112+C121



H102+C122



H107-N+C68-P



H107-P+C68-P



BBS-002+C68-P



BBS-002+C121



BBS-002+C130

2024+HOT SALE Car Air Vent Holder

Car Vent Mount For Circular Air Outlet

- Easy spring loaded clip, fits all round vents of all car types.
- Overmolded rubber on the clip, holds on the vent firmly.
- Easy one hand operation to mount or detach.



H143

60-85mm



H143+C145



H143+C127



H143+C139



H143+C139

Universal Car Mount

- Easy one button release function, fits device width from 4-7 inch.
- Stretchable clamp arm fits most phones even with thick cases.
- Adjustable foot supports various sizes of phone models and enhance stability.
- Anti slip silicone all around to prevent scratch on device.
- Elegant and luxury cosmetic appearance.



C139

13mm

53-105mm



H141-1+CX03

Car Air Vent Mount

- Designed for greater compatibility, suit different sizes of AC vent.
- Lock and unlock by rotating hook the vent blade firmly.
- Soft padded cradle hold your phone securely, no worry about falling & scratching.



H141+1+C142



CH01+CX01



H141+C128



H136+C130



H141-1+CX03



H136+C140



H141+C141



CH01+C143

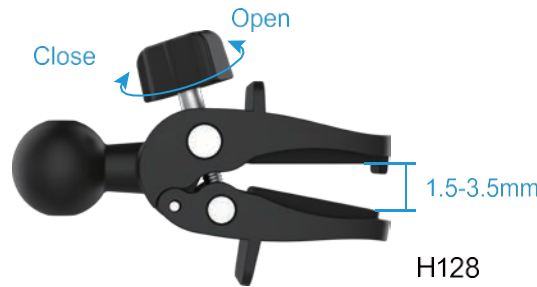


H141-1+C144

2024+HOT SALE Car Air Vent Holder



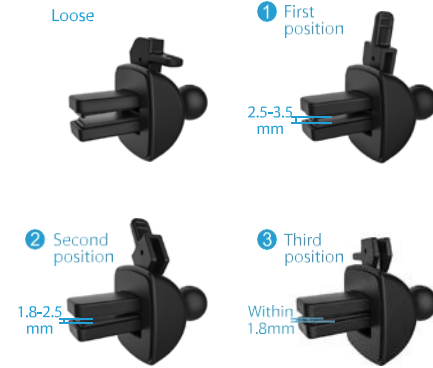
H128+H149C1C2



H128



H116



H128+H149C1



H128+C130



H116+C110



H116+C81-N



H116+C114



H116+C115

Car Air Vent Mount

- Designed for greater compatibility, suit different sizes of AC vent.
- Compatible with most mobile phones, GPS and other mobile devices.
- Nice and elegant design, easy to install, no tools needed.
- Soft padded cradle hold your phone securely, no worry about falling & scratching.

2024+HOT SALE Car Air Vent Holder



H118



- One hand operation
- Prevent jitter and slippage
- 360° rotation
- Fit for different thickness

H118+C114



H119



Car Air Vent Mount

- Car air vent mount compatible with most air vent blades.
- 360 degree rotation ball joint adapter
- Rotatable footrest is perfectly fit horizontal and vertical AC vent.
- Soft padded cradle hold your phone securely, no worry about falling & scratching.



H118+C81-N



H118+C114



H118+C115



H119+C94



H119+C105



H119+C114



H119+C102

2024+HOT SALE Car Air Vent Holder



H93+C81-N



H93+C114



C105C



H109+C101



H109+C105



H97+C110



H116+C96



H117+C115



H128+C142

Car Air Vent Mount

- Designed for greater compatibility, suit different sizes of AC vent.
- 360° swivel ball joint allows setting of portrait and landscape views.
- Easily tilt the device to best angle.
- Nice and elegant design, easy to install, no tools needed.
- Soft padded cradle hold your phone securely, no worry about falling & scratching.

2024+NEW Car Magnetic Holder



G22

Magnetic Car Mount for Tesla

Design for MagSafe

- Designed for iPhone 15/14/13/12 Pro Max Mini & official
• MagSafe cases & other magnet cases.

Powerful Magnetic Grip

- Built-in 20pcs N52 magnets, providing a permanent, ultra-
• strong magnetic attraction.

Nano 3M Adhesive, Extremely Stable

Adhesive strength is over 66 lbs, able to weigh 30kg for more than 72 hours under 122°F and -42°F.



G22



H155

Universal Magnetic Phone Mount

Design for MagSafe

- Designed for iPhone 15/14/13/12 Pro Max Mini & official MagSafe
• cases & other magnet cases.

Powerful Magnetic Grip

- Built-in 20pcs N52 magnets, providing a permanent, ultra-strong
• magnetic attraction.

Foldable & Compact

Able to Mounts Everywhere, including table trays, luggage handles, desks, beds, kitchen cabinets, shelves, and chairs etc.



H155



CH01+CG02

Universal Car Magnetic Phone Holder

- Designed for iPhone 12 / 13 / 14 / 15 series.
- Built-in N52 magnet array precisely matches MagSafe magnet coil.
- Highly flexible pivot and 360 degree rotation ball provide infinite viewing angles.
- Magnet mount has passed different road condition tests, no worry about falling off.



H141-1+CG02

H145+CG02

Car Magnetic Phone Holder

Strong magnetic power

Don't worry about your phone slipping or falling off the car phone cradle.



G12A



H116+G12



H123+G13



H133+G14



H128+V1101



H141+G16



H143+G17



H137+G17



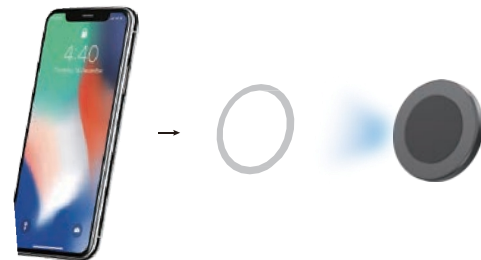
H147+G17

Car Magnetic Phone Holder

- Multifunctional magnetic car mount.
- AC vent / Dashboard / Windshield.

Work for all phones and most case

1. For iPhone 14/13/12 series case free or with magsafe case, attach to magnetic mount directly without the metal ring.
2. For iPhone 14/13/12 series with regular case or for other phones, need to stick the metal ring to the back of the case.



Note: The sticky metal ring does not stick well to textured, leather or liquid silicone phone cases.



H109+G01



H97+G02



H81+G04



H101+G09



G02A



G04B



H122+G16

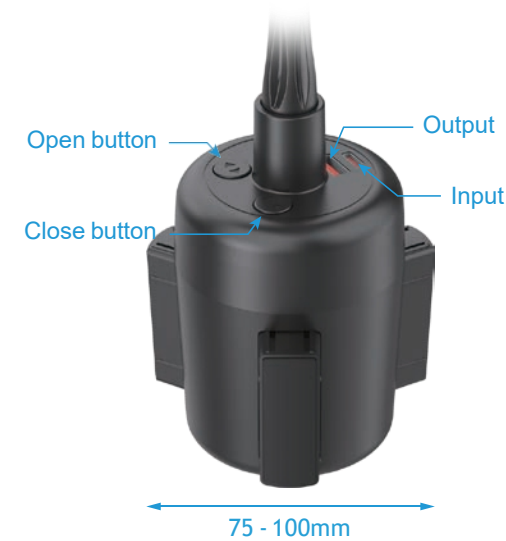


H122+G17

2024+HOT SALE Car Cup Phone Holder



H150+C138



Auto Electronic Car Cup Phone Holder

- Expandable base fits cup hole diameter from 75 to 100 mm.
- Bendable neck is easy for height and angle adjustment.
- Anti-loose knob makes the mount always stay durable and security.
- One button open / release automatically.



H150+G18



H150+G19



H150+C134



H150+C138



H130-2+A081

Car Cup Phone Holder

- Expandable base fits cup hole diameter from 65 to 95 mm.
- Extendable neck is easy for height and angle adjustment.
- Anti-loose knob makes the mount always stay durable and security.



H130-1+C122



H130-1+C124



H130-1+C126



H130-1+C130



H130-2+C122



H130-2+G17



H130-2+C139



H130-2+CX01



H126-1+C122

Car Cup Phone Holder

- Flexible neck and 360° rotatable holder provides the driver with best viewing angle.
- Adjustable base makes for a perfect fit in cars.
- Universal firm grip fits the latest smartphones size up to 7inch.



H126-1+C81-N



H126-1+C114



H126-1+C115



H126-1+CX01



H126-2+C81-N



H126-2+C132



H126-2+C115



H126-2+A085



H120-2+C114

Car Cup Phone Holder

- Expandable base fits cup hole diameter from 2.5 to 4.1 inch.
- Extendable neck is easy for height and angle adjustment.
- Anti-loose knob makes the mount always stay durable and security.



H120-1+C81-N



H120-1+C115



H120-1+C122



H120-1+C124



H120-2+C81-N



H120-2+C115



H120-2+C122



H120-2+C124

2024+HOT SALE Car Tablet PC Holder



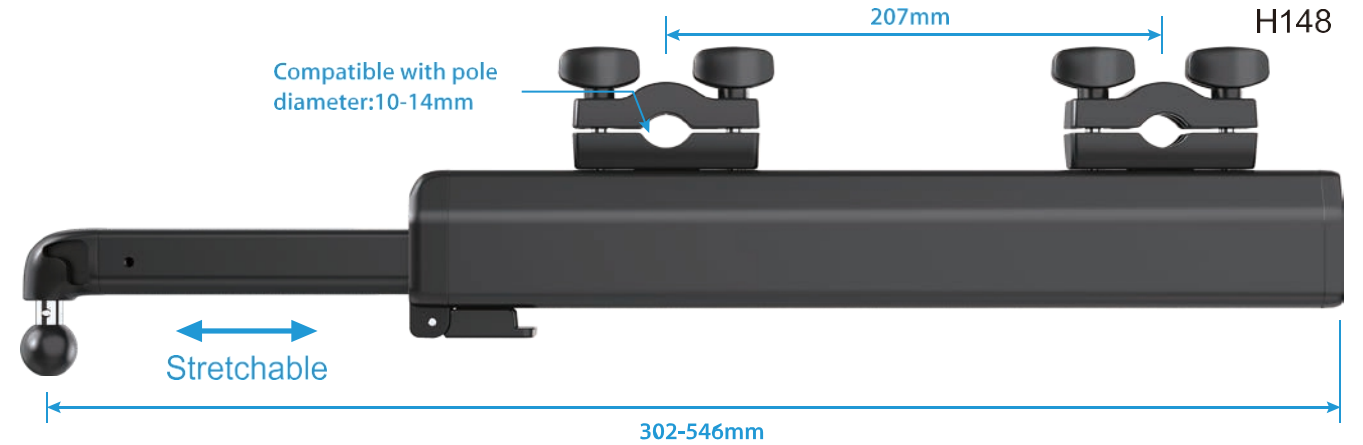
H148+C113

Alu-alloy Headrest Mounts

- Made in high quality aluminum alloy material, extremely high grade and stable design.
- Two fixing screws are adjustable to fit for different width and diameter of the poles.
- Cradle fits tablets with cases and any other mobile device between 4.7" to 12.9" wide securely.



H148+C113



H148+A081



H148+A085

2024+HOT SALE Car Tablet PC Holder



Car Headrest Mount

- This tablet headrest holder is specially designed for car headrest, let your children or other backseat passengers entertain in long distance driving.



H113+C113



H113+C113
(For Tablet PC 7-12.9")



H53+C82
(For Tablet PC 7-10.5")



X159+A085
(For Tablet PC 7-12.9")



H55+C92
(For Tablet PC 9.5-14.5")



H146+A085



H41B+C82
(For Tablet PC 7-10.5")



H41B+C56
(For Tablet PC 7-10")



H73+C82
(For Tablet PC 7-10.5")



H49-3+C56
(For Tablet PC 7-10")

Car Tablet PC Holder

2024+NEW Bike Mount



CH07+C148



CH07+CX02

Universal Bike Phone Mount

- **Four jaw protection**
It can firmly lock the phone even during emergency braking, bumpy road sections, or sharp turns.
- **Shockproof design**
The four corners and back of the bike phone mount are equipped with thick shockproof Sponge, providing the best protection for your phone even on bumpy roads.



CH07+C148



H144+C148



H104+C148



X055+C148



X268+C148

2024+HOT SALE Bike Mount



H149+H3



Universal Bike Phone Mount

- **Quick lock & release**
Quick to attach/detach your phone in seconds with one hand.
- **Universal adapter**
Our phone bike mount comes with 1 universal adapter, High-viscosity industrial grade 3M double-sided adhesive tape can be strongly pasted to most cell phone cases.



H149C2



H149C3



H149+H1



H149+H2



H149+H3



H144+H149C1

2024+HOT SALE Bike Mount

Universal Bike Mount

Clamp arm size is adjustable from 20-35mm, universal fit for bike, e-bike, motorbike, strollers, exercise bike and other handlebars.



C129(Red)



C129(Black)



A295+X52



A295+X55



CH07+A296



H104+C84-P



H144+C100-P1



H104+C100-P1



H131+C100-P1



H144+C84-P



H144+A295

Table Stand For Phone & Tablet

Wide Compatibility

Compatible with 4.7-10.5 inch devices.

Multi-angle Adjustable

Simply adjust and choose your preferred viewing angles.



H151+C113



H151+G17



H151+C113



H151+C130



H151+C132



H151+C135



H135(White)



H135(Black)



H135

Foldable Table Stand For Phone And Tablet

- Magnetic panel holds iPhone 12/13/14 series securely.
- Extendable base is ideal to hold all smart phones and tablets.
- Foldable design, save space and portable.
- Universal compatibility, fit smart phone and tablet size from 3.5 inch to 9.7inch.
- Free angle adjustment for best view.
- Sturdy metal-weighted base makes it more stable when you tap the devices.

2024+HOT SALE Table Stands



Universal Table Stand Holder

- Adopt metal material multi-angle adjustment, non-slip silic.
- Adjustable Clip Compatible with all 4.7-10.5 inch devices.



X050+A081



H100-P1+A081



H100-P1+A085



X050+A081



X053+A085



V0401



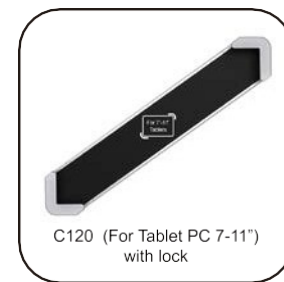
H84A+C120



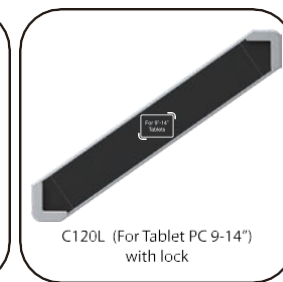
H85A+C120

Table / Wall Security Tablet Stand

- **Metal texture**
Adopt aluminium alloy materials, more stable while operation.
- Adjustable angles provide better viewing and experience.
- **High grade with lock**
Can be widely used in public places. (school /exhibition hall/company etc.)



C120 (For Tablet PC 7-11") with lock



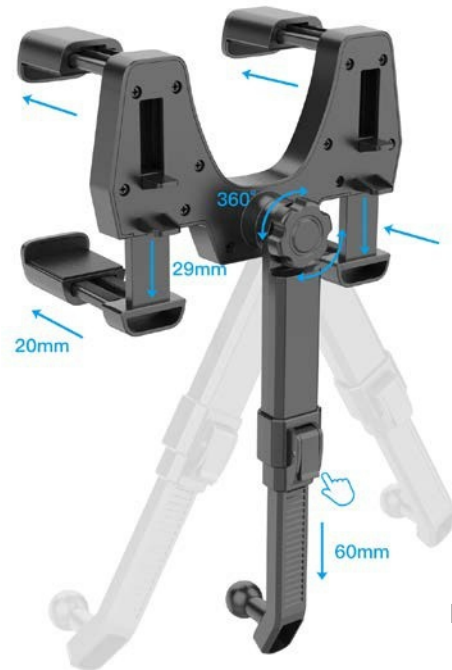
C120L (For Tablet PC 9-14") with lock



H152+C144

Car Rear Mirror Phone Mount

360-degree rotation design, you can adjust the angle at will. Keep your eyes on the road, no need to look down at navigation, and get a more comfortable and safer user experience



H152



H152+C143



H152+C144



H152+C145



V6801

VR Headset Desktop Stand

- **Rotatable handle stand**
adjust the angle freely for different controllers tray design.
- **Convenient storage**
It can not only store headphones, but also store data cables. It is beautiful and can store more accessories, making the desktop more tidy.



V6801 (white)



V6801 (black)



V3103



V3104



V3103 (white)



V3103 (black)



V3104 (white)



V3104 (black)

Stick Magnet Holdera (V3104)

- widely used for cars, kitchen, office, bedroom, sitting room, study room and etc.
- Powerful magnet without falling off.
- Super Glue strong adsorption, no worry about falling off.

Car CD Slot Mount

Safe Driving

The CD slot connector safely secure your device to your car's CD slot, comes with 3 silicone pads for enhancing stability and preventing any damage to the CD slot of your car.



Car Dashboard Clip Mount

- Excellent to mount on the edge of dashboard visor without blocking of sight.
- The car mount can fix itself stably, easy to install and remove instantly.



H96+G01



H106+G16



H106+C141



H106+C81-N



H110-3+G09



H110



H127+C127

2024+HOT SALE Other Holders and Accessories



H43C



H41C1



H66C

Camera Mount / Waterproof Bag / Armband



H61+K05



H78C



S009(385x80mm)



S009L(490x80mm)

Car Charger Holder

3 in 1 multifunctional holder

Easy to install, just need to insert the charging stand to cigar lighter
Convenient to use, charging your phone when driving.

Dual USB charging ports

Max.output DC 5V=3A support you charge two devices at the same time.



F21-1

Input: DC 12V-24V
Output: DC 5V 2.1A 1000MA+1000MA



F22

Input: DC 12V-24V
Output: DC 5V=2.1A or 1A+1A



F23

Input: DC 12-24V
Output: DC 5V=3A



F24-3

Input: DC 12-24V
Output 1: DC 5V=3A,9V=2A,12V=1.5A
Output 2: DC 5V=2.4A



F24+C108